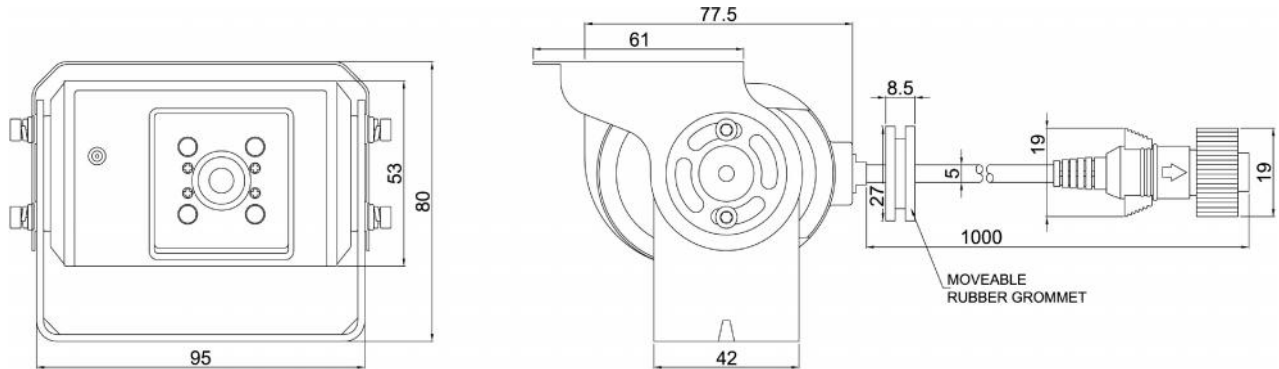


# Product Specification

**Brigade Model Number:** BE-840C/BE-840RC

**Brigade Stock Code:** 2505/2722



Dimensions: mm

## Product Specification

### Environmental Specifications:

- Shock Rating: 100 G
- Vibration Rating: 5 G
- Camera IP Rating: IP68
- Connector IP Rating: IP67
- Operating Temperature: -20° to +70°C
- Storage Temperature: -30° to +80°C

### Approved Standards:

- CE
- RoHS
- ECE R10.02
- HALT
- ISO 20653: 2006 (IP Testing)
- WEEE

### Technical Specifications:

- Operating Voltage: 12 Vdc ± 10%
- Current Consumption: ≤250mA @ 12Vdc
- Power Consumption: ≤3.0 Watts @ 12Vdc
- Imaging Devices: CCD - 1/3" PANASONIC  
DSP - SHARP
- TV System: PAL
- Picture Elements: 512 (H) x 582 (V)
- Visual Resolution: 380 TV Lines
- Lens Focal Length: 3.6mm
- Signal to Noise Ratio: >47dB
- Required Illumination: 0 Lux (IR LED ON)
- Illumination Distance: 5 Meters

### Technical Specifications Continued...

- Viewing Angle: 74° (H), 56° (V), 92° (D)
- Weight: 500 Grams
- Video Output: 1.0 Vp-p / 75Ω
- Length of Cable: 1 Metre
- Overall Dimensions: 110mm (W) x 96.5mm (D) x 80mm (H)
- Casing Material: Die cast Aluminium
- View: Mirror
- Finish: Black Power Coating

### Features:

- Back Light Compensation
- Automatic White Balance
- Automatic IRIS
- 4x High Power Infrared LEDS
- Integrated Microphone
- Automatic Tilt function:  
BE-840C (Down/Up)  
BE-840RC (Up/Down)
- BE Type Connector
- High Quality PANASONIC CCD
- High Quality SHARP DSP

### Package Contents:

- 1x Camera
- 1x Instruction Guide
- 1x Bracket
- 1x Sunshield
- 4x 4mm Bolts
- 1x 4mm Allen Key
- 4x 5mm Locking Nuts
- 4x 5mm Fixing Bolts

